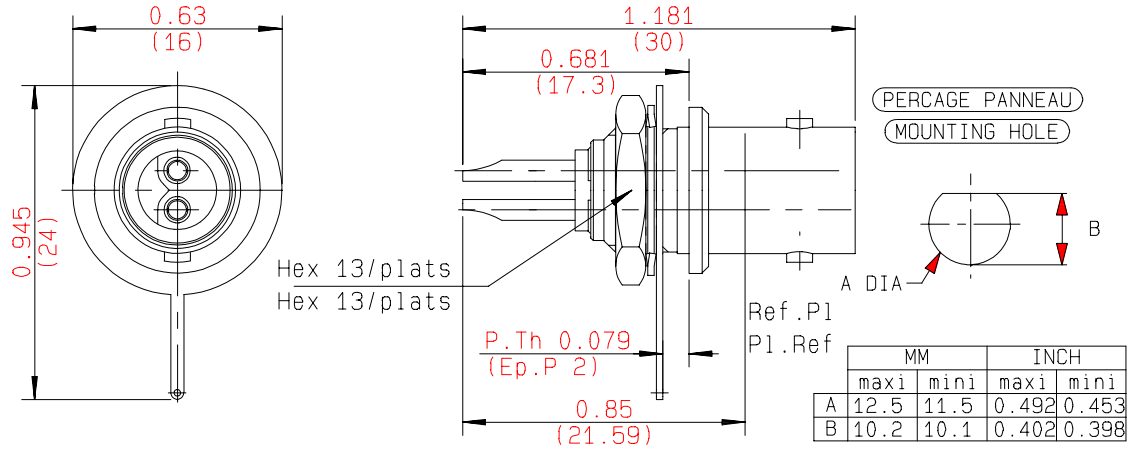


BULKEAD RECEPTACLE FRONT MOUNTING

R605.550.020

PACKAGING 100

Series : **BR2**



All dimensions are in mm.



COMPONENTS	MATERIALS	PLATINGS (µm)
BODY	BRASS	NICKEL 2
CENTER CONTACT	BERYLLIUM COPPER	GOLD 2.5 OVER NICKEL 2
OUTER CONTACT	-	-
INSULATOR	POLYAMIDES 11	-
GASKET	-	-
OTHERS PARTS	-	-
-	-	-
-	-	-

Issue : 0336 A

In the effort to improve our products, we reserve the right to make changes judged to be necessary.



BULKEAD RECEPTACLE FRONT MOUNTING

R605.550.020

PACKAGING 100

Series : **BR2**

PACKAGING

SPECIFICATION

Standard	Unit	Other
100	-	Contact us

ELECTRICAL CHARACTERISTICS

ENVIRONMENTAL

Impedance		80 Ω
Frequency		0-0.5 GHz
VSWR	NA +	0.000 x F(GHz) Maxi
Insertion loss		NA √F(GHz) dB Maxi
RF leakage	- (NA - F(GHz)) dB Maxi
Voltage rating		500 Veff Maxi
Dielectric withstanding voltage		1500 Veff mini
Insulation resistance		5000 MΩ mini

Operating temperature	-40/+100 ° C
Hermetic seal	NA Atm.cm3/s
Panel leakage	NA

OTHERS CHARACTERISTICS

Assembly instruction

Others :

MECHANICAL CHARACTERISTICS

Center contact retention		
Axial force – Mating end	27	N mini
Axial force – Opposite end	27	N mini
Torque	-	N.cm mini
Recommended torque		
Mating	-	N.cm
Panel nut	250	N.cm
Mating life	0	Cycles mini
Weight	0.000	g

Issue : 0336 A

In the effort to improve our products, we reserve the right to make changes judged to be necessary.

